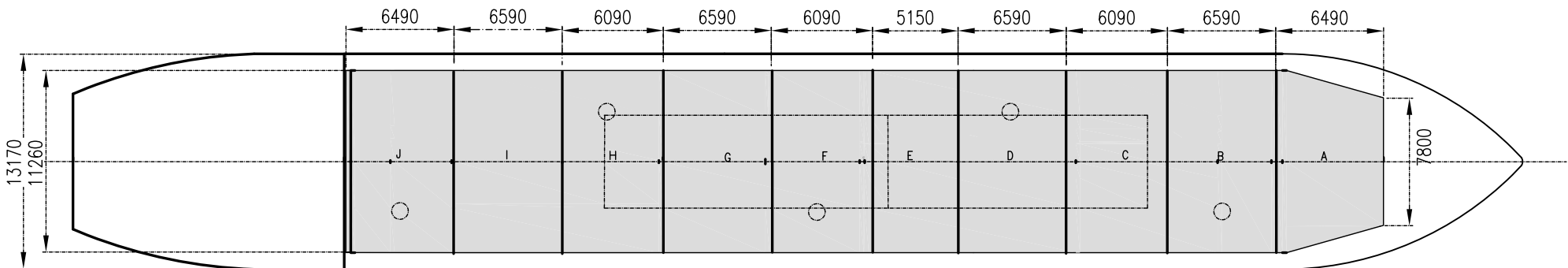
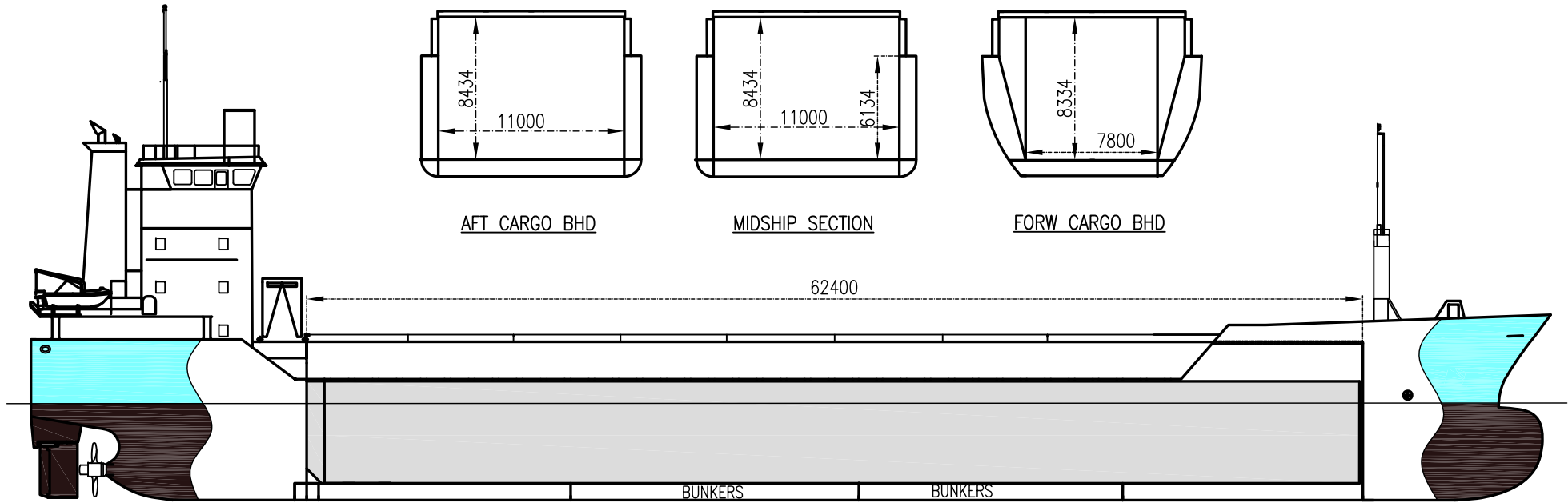


Tallin

DEADWEIGHT GROUP
 4000 dwt





TALLIN

If not otherwise specified :
Dist/Dim in meters
Weights in m.tons

All details given in good faith without guarantee

DWT GROUP 4000
IMO NO 9130224
CALL SIGN V2PA1
BUILD 09/1997
FLAG Antigua & Barbuda

Builders Sanctiure Naval Galati / DSH Hoozezaand
Classification GL / 100 A5 E G SOLAS II Req 19 MC E AUT
Length oa 89.74
Breadth mld 13.17
Depth mld 7.15
Draft summer 5.72
Deadweight summer draft 4218
Draft winter 5.60
Deadweight winter draft 4090
Gross tonnage 2810
Net tonnage 1568
Immersion(load draft) TPC 10.70
Mean draft of ship in heavy ballast 3.75
Distance from forward end of No.1 Hatch to aft end of last hatch 55.60
Hatch type Roden Staal Pontoons
Container (TEU) capacity Hold / Deck 117 / 96

Hatch details:

- a : Distance from waterline fully ballasted to top of hatch coamings
b : Distance from waterline fully loaded to top of hatch coamings
c : Distance from tank top to top of hatch coamings
d : Max permissible loading on hatch covers
e : Distance from ship's rail to inside hatch coamings
f : Height of hatch coamings
g : Hatch opening
h : No. of Loadingholes on hatchcovers X diameter in mm

Remarks :

- Strengthened for heavy cargo, equip. for carri. of cont.
Hold dimension without bulkheads is 62.50 x 11.00 x 8.43.
Two movable bulkheads (28 cbm each), max 3 compartments.
Bale/grain capacity is excluded bulkheads.

Max permissible load on deck, mt/sqm -
Max permissible load on tanktop, mt/sqm 18.00
Max air draft - 1 25.75
Max air draft - 2 -
Distance from keel to top antenna -1 29.50
Distance from keel to top antenna -2 -
Water ballast capacity 1 627.00
Fuel main engine - capa.(cbm) 220.14
Fuel aux engine - capa.(cbm) 57.70
Speed service, knots 10.50
Cargo gear No
Bow thruster .220.kW. Yes
Boxed Yes
Double skin Yes
Open hatch Yes
Rhine fitted No
Ammonium Nitrate fitted Yes
FeSi fitted Yes

Htch#	a	b	c	d	e	f	g	h	Bale		Grain		Hold dimensions	Compartment :		Communication :		Equipment	
									Hold#	cbm	cbft	cbm		cbft	#	cbm	Type		No
1	5.70	3.74	8.30	1.60	1.20	2.30	62.50 x 11.00	5 x 500mm	1	5718	201 931	5718	201 931	62.50 x 11.00 x 8.43			Telex 1	430 401 829	Inmarsat
																	Telex 2	430 401 830	Inmarsat
																	Tlph 1	008816 2145 4315	Inmarsat
																	Tlph 2	+49 171 480 54 76	Gsm
																	Fax		
																	Email	master.tallin@telaurus.net	