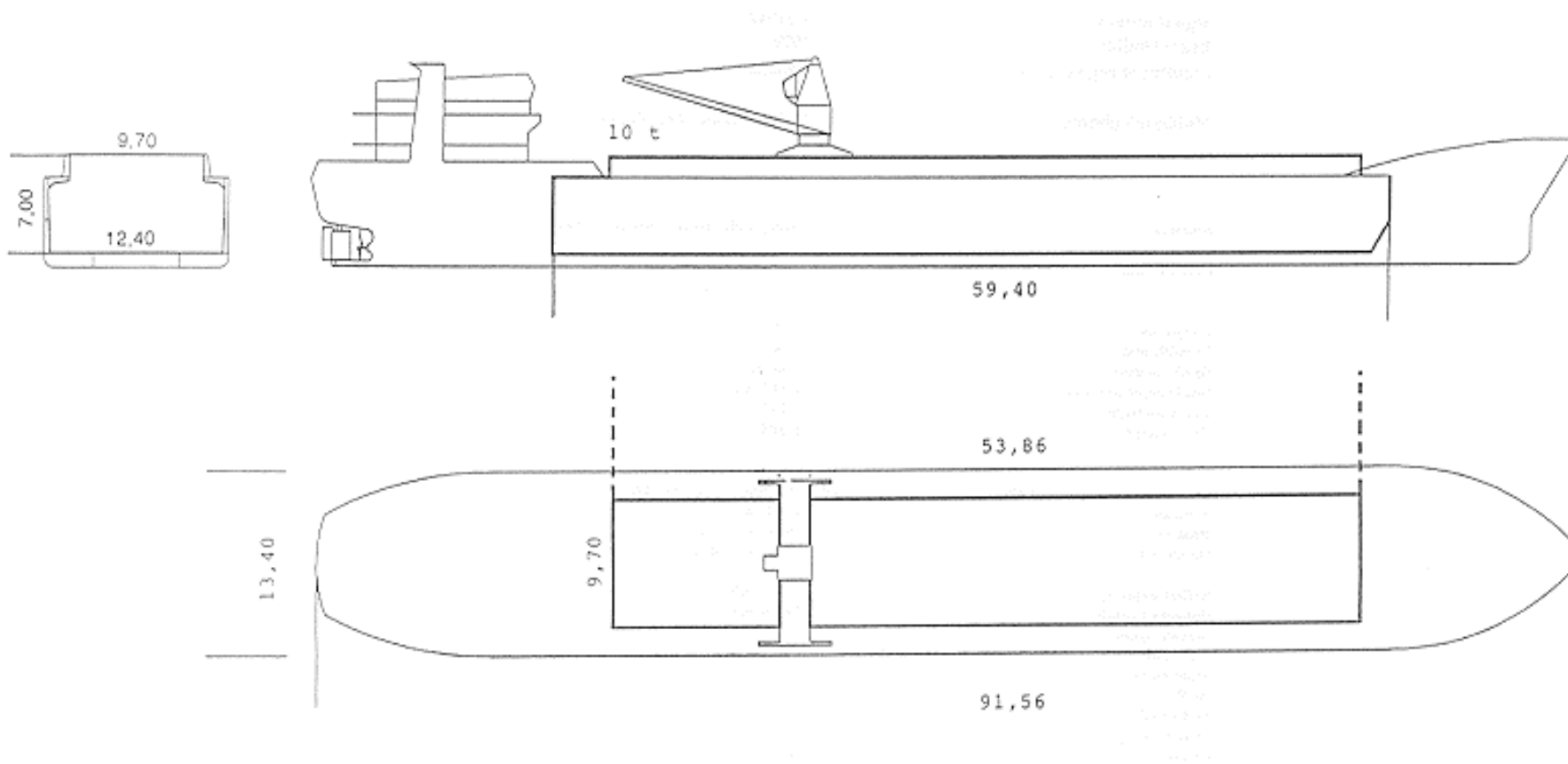


SALMO

DEADWEIGHT GROUP
3000 DWT





SALMO

If not otherwise specified :
Dist/Dim in meters
Weights in m.tons

DWT GROUP BERG
IMO NO 7616858
CALL SIGN C6PR2
BUILD 1978
FLAG Bahamas

All details given in good faith without guarantee

Builders	Hancoks Shipbuilding Ltd., Pembroke, UK	Max permissible load on deck, mt/sqm	1.10
Classification	BV // I*HULL*MACH*AUT-UMS. ICE. Grabload. aen.carao. unres.nav.	Max permissible load on tanktop, mt/sqm	4.50
Length oa	91.56	Max air draft - 1	22.00
Breadth mld	13.40	Max air draft - 2	-
Depth mld	6.50	Distance from keel to top antenna -1	24.85
Draft summer	5.09	Distance from keel to top antenna -2	-
Deadweight summer draft	3345	Water ballast capacity	650.00
Draft winter	4.99	Fuel main engine - capa.(cbm)	280.00
Deadweight winter draft	3235	Fuel aux engine - capa.(cbm)	51.00
Gross tonnage	2171	Speed service, knots	10.00
Net tonnage	1389	Cargo gear	Excavator m/3.5 cbm bucket, 12 No
Immersion(load draft) TPC	10.00	Bow thruster	425.HP. . Yes
Mean draft of ship in heavy ballast	2.60	Boxed	No
Distance from forward end of No.1 Hatch to aft end of last hatch	53.86	Double skin	No
Hatch type	Mac Gregor	Open hatch	No
Container (TEU) capacity Hold / Deck	- / -	Rhine fitted	No
		Ammonium Nitrate fitted	No
		FeSi fitted	Yes

Hatch details:

- a : Distance from waterline fully ballasted to top of hatch coamings
b : Distance from waterline fully loaded to top of hatch coamings
c : Distance from tank top to top of hatch coamings
d : Max permissible loading on hatch covers
e : Distance from ship's rail to inside hatch coamings
f : Height of hatch coamings
g : Hatch opening
h : No. of Loadingholes on hatchcovers X diameter in mm

Remarks :

- Lower part of hold double skinned.
Hold narrowing forward and aft, 6.80m forward, 9.00m aft.

Htch#	Bale								Grain				Hold dimensions	Compartment :		Communication :		Equipment	
	a	b	c	d	e	f	g	h	Hold#	cbm	cbft	cbm		cbft	#	cbm	Type		No
1	5.74	3.31	7.00	1.10	2.00	1.80	53.86 x 9.70	8 x 600mm	1	4493	158 670	4571	161 425	59.40 x 12.40 x 7.00			Telex 1	430 935 910	Inmarsat
																	Telex 2		
																	Tlph 1	+47 916 20 429	Gsm
																	Tlph 2		
																	Fax		
																	Email	salmo@gtw.dualog.com	